

# CR700

The Crane Drive

**YASKAWA**



Designed for  
**10 YEARS**  
of maintenance  
free operation

# Best value for your cranes

Our number one priority at Yaskawa Europe is to always keep the customer's perspective in mind. Continuing with this focus and adding user friendly AC Drive settings, we offer the highest market benchmark in quality and product reliability. Our CR700 crane drive was developed based on over 30 years of crane industry experience to further optimize crane applications based on the concepts of Flexible, Easy, Sustainable.

## Anti-sway function

The CR700 crane drive has a built-in cargo swing suppression function. This special functionality supports the crane operator to prevent uncontrolled load swinging during the traverse movement, resulting in shorter cycle times and higher crane efficiency.

## Load balance function without encoder

The load balance function without the need of an encoder shares the load impact between two drives.

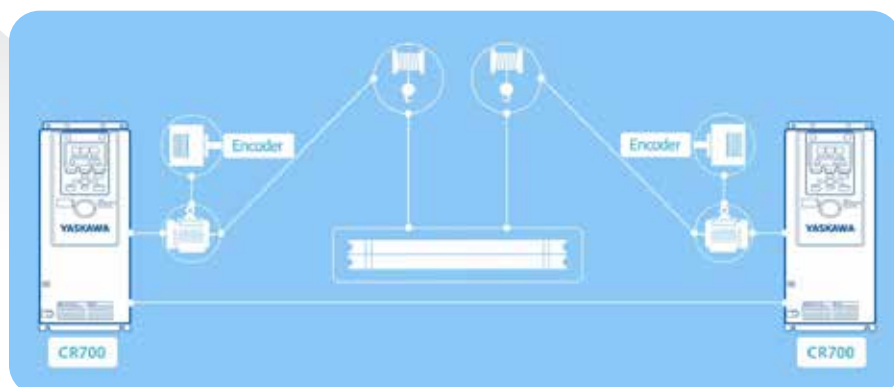
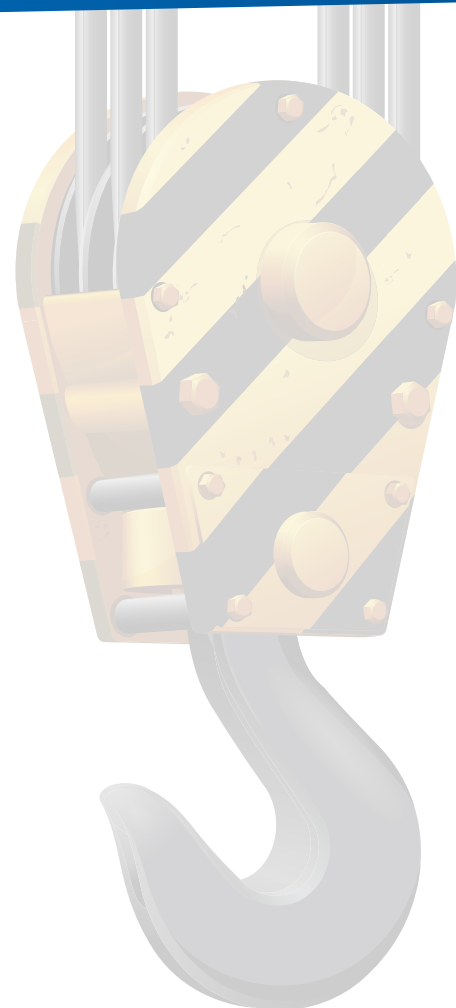
Your crane application benefits by eliminating the need of encoder installation which also reduces the risk of possible fault caused by encoder failure.

## High-speed operation at light loads

The High-speed operation function detects if the application is running with full or light load. In case of light load the drive will increase the frequency reference and operation speed which helps to shorten the cycle time and increasing the crane efficiency.

## Synchronized position control

Synchronized position control protects your crane application against position deviation. This CLV operation of the CR700 eliminates position errors that can occur when two crane drives lift or lower a load together. It also helps you avoid additional external control loops.



**Copy function**  
Multiple sets of parameters can be stored and easily transferred (copied) to additional drives

**Hi-resolution display**  
Contrast control offers clear and readable full-text descriptions

**Automatic backup function**  
Saves the current parameter settings after a period of user inactivity. After an incident, settings can be retrieved from the keypad in a couple of seconds.

**Advanced keypad navigation**  
Faster scrolling and function keys provide more responsive navigation and shortcuts that reduce programming time.



**Micro SD storage**  
Micro SD for data logging storage

**Real-time clock**  
Real-time clock for time stamp of fault information (battery compartment in back)

**Optional LCD keypad with Bluetooth®**  
Wireless communication capability between the mobile device and drive

**Keypad benefits and features:**

- Reduce set-up time**
- Start-up wizard
  - Favorite parameter/monitor function
  - Copy function integrated into the keypad
  - Parameter set is backward compatible with previous generation drive products
  - Fast navigation
  - Parameter description

- Drive parameter management**
- Storage of up to 4 drive parameter sets
  - Data logging with real time stamp e.g. for fault analysis, load profile analysis etc. (up to 32 GB on a Micro SD card)
  - Fault logging with real time stamp for better analysis
  - Multiple parameter storage
  - Automatic parameter back-up

- Easy to use**
- LCD keypad with Bluetooth® option
  - Display contrast control
  - Real-time clock with time stamp
  - Tactile feel buttons
  - Remote mounting of keypad using standard RJ45 extension cable

**Start-up wizard**

Reduce basic set-up time to minutes using the start-up wizard without any drive parameter knowledge

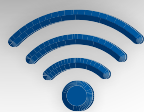




# Convenient set-up and monitoring

## Yaskawa Drive Cloud service

With the Yaskawa Drive Cloud, we provide free drive registration access to latest product information and online storage for parameter and application backup data. Yaskawa Drive Cloud is the easy and safe way to keep a record of your drive data and to have them available whenever you need them.



## Convenient setup and monitoring:

### DriveWizard® Mobile app

- Quick and easy drive management apps for smart devices
- Easy USB OTG cable or Bluetooth® connection
- Drive registration via cloud by scanning QR code
- Paperless and easy access to latest online manual and troubleshooting
- Archive and retrieve parameter settings with comments on your smart device
- Carefree data recovery: Parameter back-up/retrieval anytime via cloud service for registered drives

### Yaskawa Drive Cloud service

- Online manual
- Complimentary storage for parameter backup and application records
- Convenient drive data storage accessible anywhere
- Direct access to your personal CR700 data package

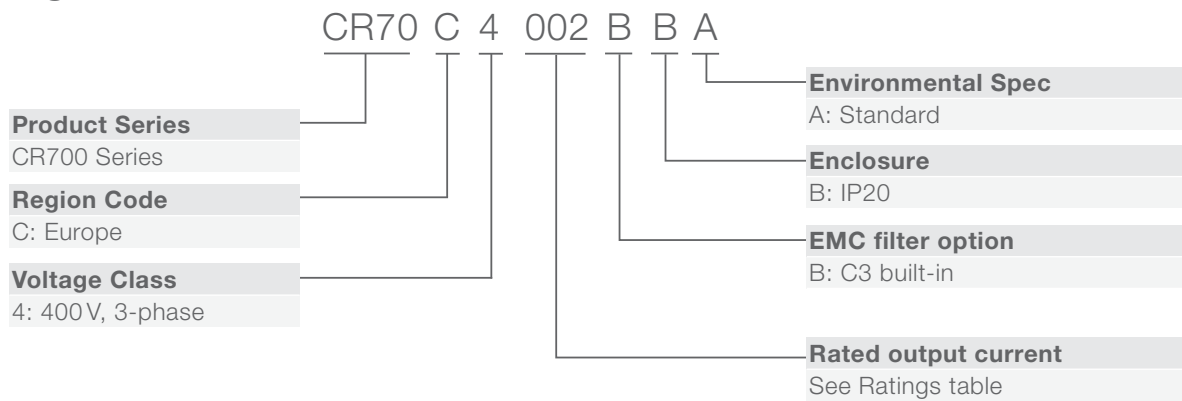
Search for

YASKAWA 

on



# Catalog Code



# Ratings

Catalog Code CR70C	Max. Applicable Motor Power	Rated Output Current	Dimensions [mm]			Weight [kg]
	HD [kW]	HD [A]	H	B	T	
4002	0.55	1.8	260	140	176	3.5
4003	1.1	3.4				
4005	1.5	4.8				
4006	2.2	5.5			211	3.9
4007	3.0	7.2				
4009	4.0	9.2				
4015	5.5	14.8				
4018	7.5	18				
4024	11	24	300	180	202	6.0
4031	15	31	350	220	227	7.5
4039	18.5	39			246	13
4045	22	45	400	240	280	16
4060	30	60	450	255		35
4075	37	75			543	264
4091	45	91	700	312		
4112	55	112			800	440
4150	75	150	1140	510		
4180	90	180			480	175
4216	110	216	1140	510	480	175
4260	132	260			480	175
4304	160	304	1140	510	480	175
4371	200	371			480	175
4414	220	414	1140	510	480	175
4453	250	453			480	175
4605	315	605	1140	510	480	175
					480	175

<b>DC Reactor</b>	Built-in: 22 – 315kW
<b>Braking transistor</b>	Built-in: 0.55 – 75kW
<b>Drive Features</b>	Anti-sway function, Synchronized position control, Load balance function without encoder, High-speed operation at light loads, Rope length detection, 3 different motor operation, Count of the number of brake commands, Gateway function, Travel limit function, Overtorque detection function, External heatsink mounting, Bluetooth option, Varnish coated printed circuit board (chemical gas: 3C3, solid particle: 3S2), etc.

**YASKAWA Europe GmbH**

Philipp-Reis-Str. 6  
65795 Hattersheim am Main  
Germany

+49 6196 569-500  
support@yaskawa.eu  
www.yaskawa.eu.com

10/2021  
YEU\_INV\_CR700\_SPS\_Flyer\_EN\_v1

Specifications are subject to change without notice for ongoing product modifications and improvements. © YASKAWA Europe GmbH. All rights reserved.

**YASKAWA**